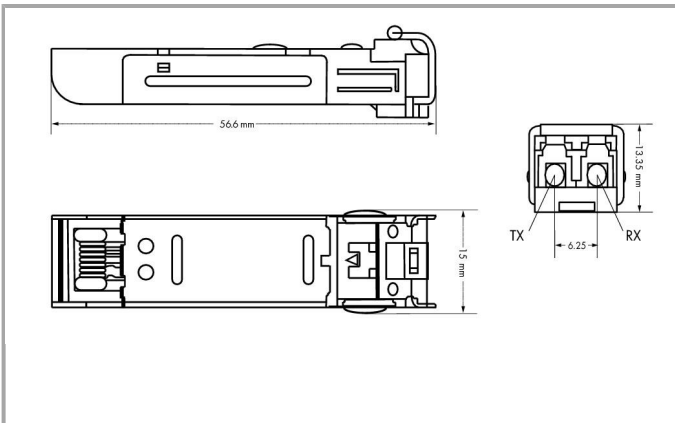
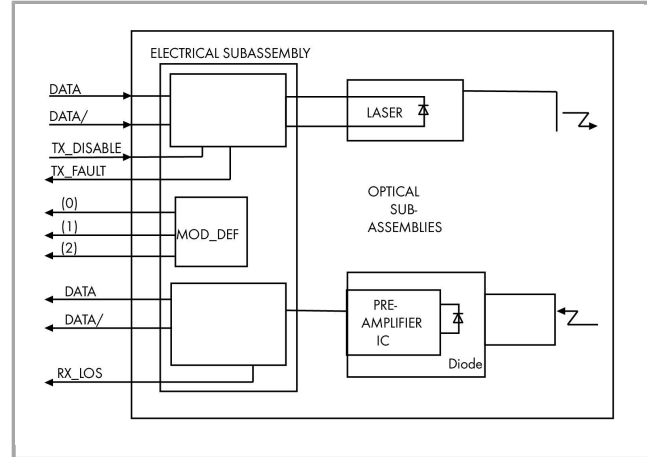


852-201/107-002



RoHS Compliant [BOMcheck.net](https://www.bomcheck.net)



Item description

Features:

- Duplex LC optical connector
- Small Form-Factor Pluggable (SFP) industry-standard design
- Compliant with Fast ETHERNET standard
- Differential LVPECL inputs and outputs
- Power supply: 3.3 V



- TTL signal detect indicator
- Hot-pluggable capability

Data

Technical Data

LWL-Fasertyp	Multi-mode
--------------	------------

Connection data

Connection technology: communication/fieldbus	1 x SFP, LC fiber-optic connectors
Anschlussanforderung zulässige Leitungslänge	2000 m
Connection requirement (permissible cable type)	Multi-mode fiber 62.5/125 µm, 50/125 µm, wavelength 1310 nm

Geometrical Data

Width	13.4 mm / 0.528 inch
Height	13.3 mm / 0.524 inch
Depth	56.6 mm / 2.228 inch

Mechanical data

Weight	24.3 g
--------	--------

Environmental Requirements

Surrounding air (operating) temperature	-40 ... 70 °C
Surrounding air (storage) temperature	-40 ... 80 °C

Commercial data

Country of origin	TW
GTIN	4045454635404
Customs Tariff No.	85176200000

Downloads

Documentation

Bid Text

852-201/107-002 Switche	Apr 4, 2012	doc 26.1 kB	Download
----------------------------	-------------	----------------	----------

Additional Information

Disposal; Electrical and electronic equipment, Packaging	V 1.0.0	pdf 265.8 kB	Download
--	---------	-----------------	----------



System Description

Industrial Switches – General Product Information

pdf
2.0 MB

[Download](#)

Subject to changes.
